

WALLING



£87.02 per metre

CLAD1 Unfinished MDF Cladding

A simple, unfinished MDF panel that we can add to each of your shell scheme panels to cover them.



£87.02 per metre

CLAD2 White Melamine Cladding

You can cover each of your internal shell scheme panels with glossy white melamine for a high-end, surgical finish.



£116.50 per metre

CLAD3 Painted MDF Cladding

Cover each of your shell scheme panels with MDF painted in a Dulux colour of your choice.



£127.68 per pannel

SW2 Slat Wall Panel

Great for displaying a vast array of products – a top seller. The hooks are sold separately, so just let us know how many you'll need.



£70.14 per linear metre

WP Additional Wall Panel

If you need an additional wall panel fitted within your stand, just tell us where you'd like it and we'll install a panel to match your shell scheme type.

ORDER ONLINE NOW

Or call +44 (0)2476 380 183

SPECIALIST ITEMS



£14.00 per m²

WMC Muslin Ceiling

Available in white or black, adding a ceiling will make your space more private (worth considering if you've built a changing room).



£21.38 per linear metre

NS Night Sheets

These are good for keeping your stand private when show closes at night time. More of a deterrent than security measure, it does come with a padlock.



£175.05 each

SIU Sink Unit

These are great if you're entertaining with hot beverages. Check your exhibitor manual for information on water and waste installation, or call us on +44 (0)2476 380 183.



£10.69 per metre

WB Wooden Battening

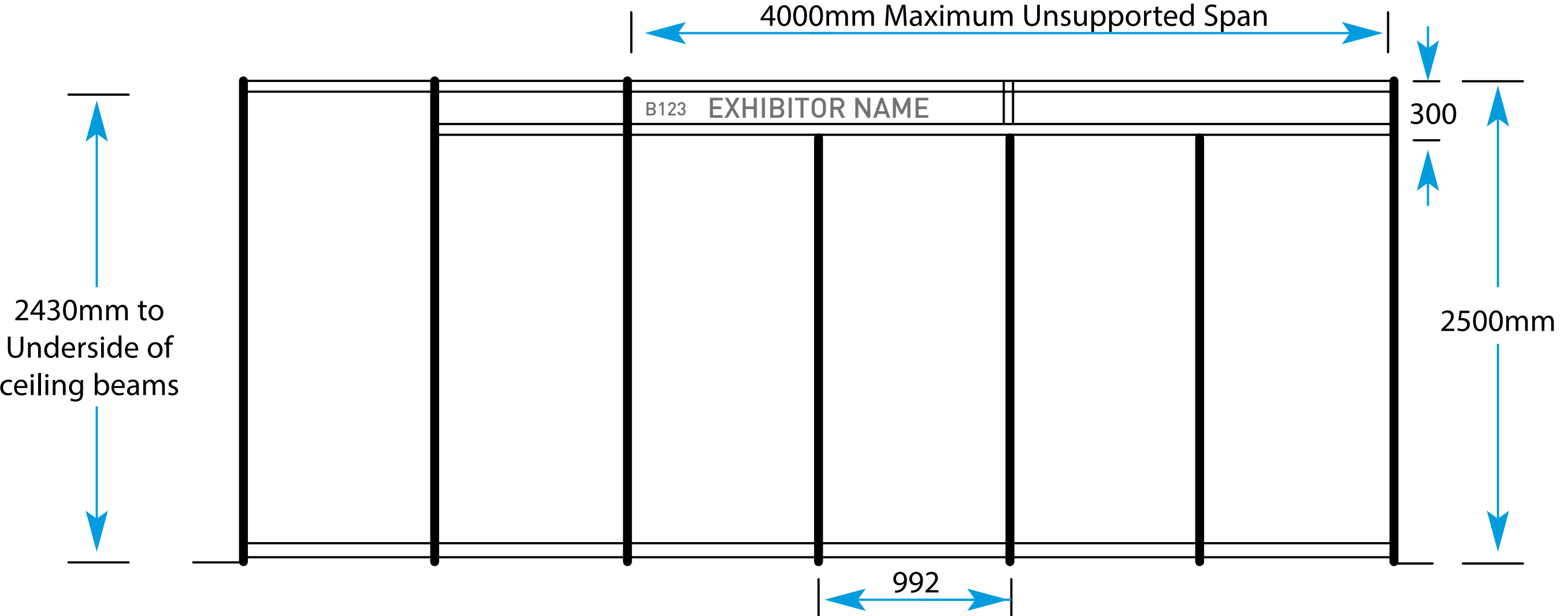
Sometimes you need to staple or nail displays onto your walls, to do that you'll need wooden battening (2" x 1") – which we'll put up for you.

ORDER ONLINE NOW

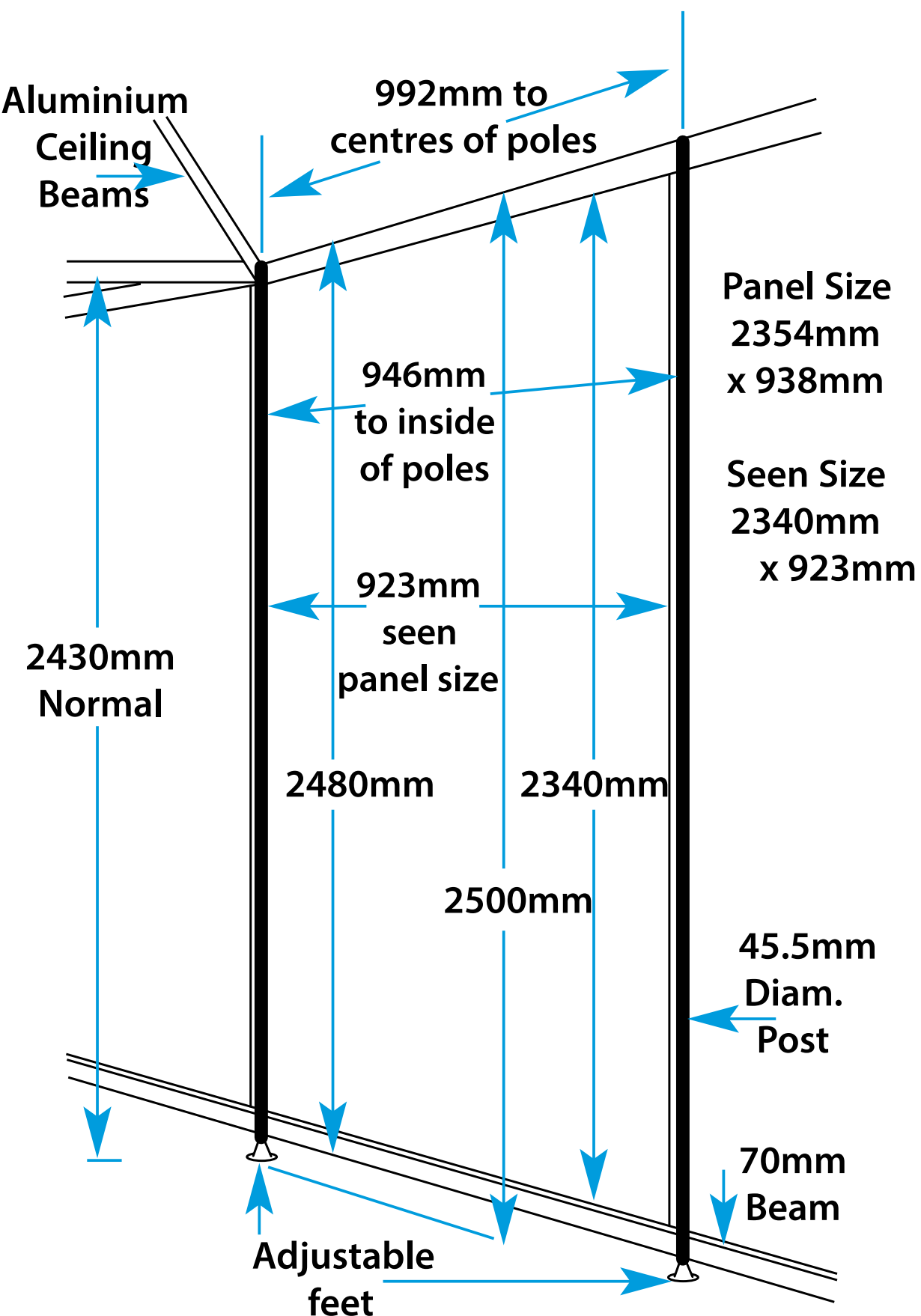
Or call +44 (0)2476 380 183

SHELL SCHEME SPECIFICATIONS: COMPLETE

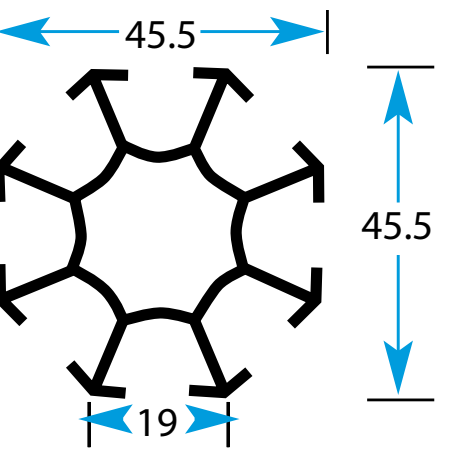
SHELL DIMENSIONS



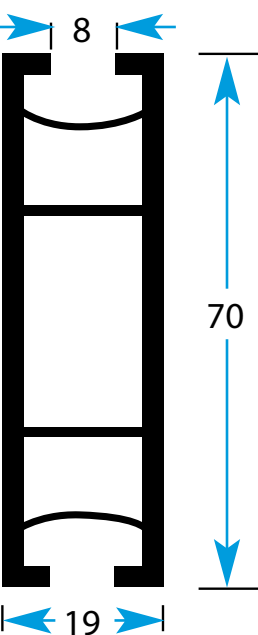
PANEL DIMENSIONS



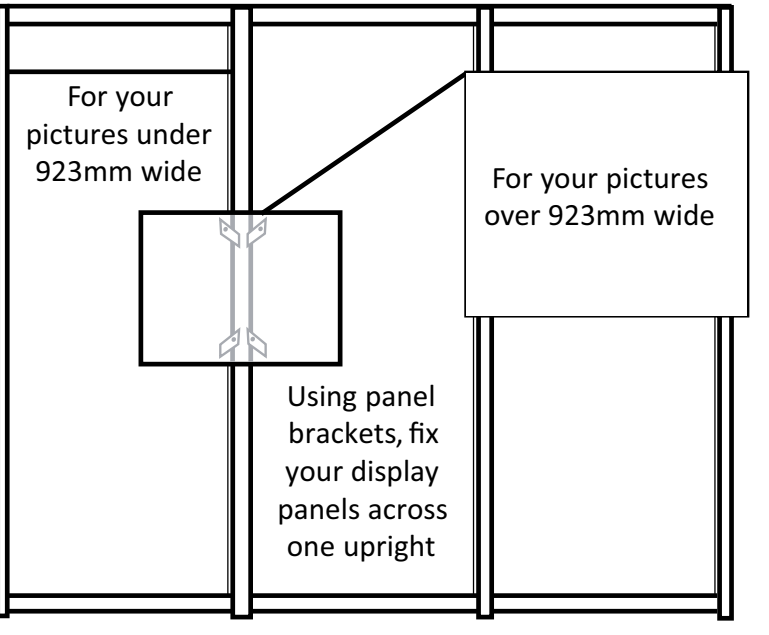
POST SECTION



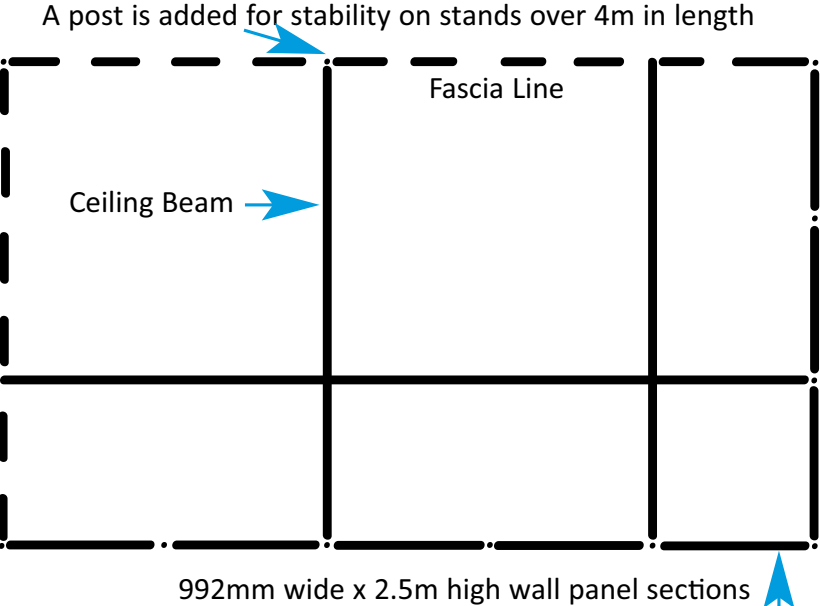
BEAM SECTION



POSTERS & PANELS

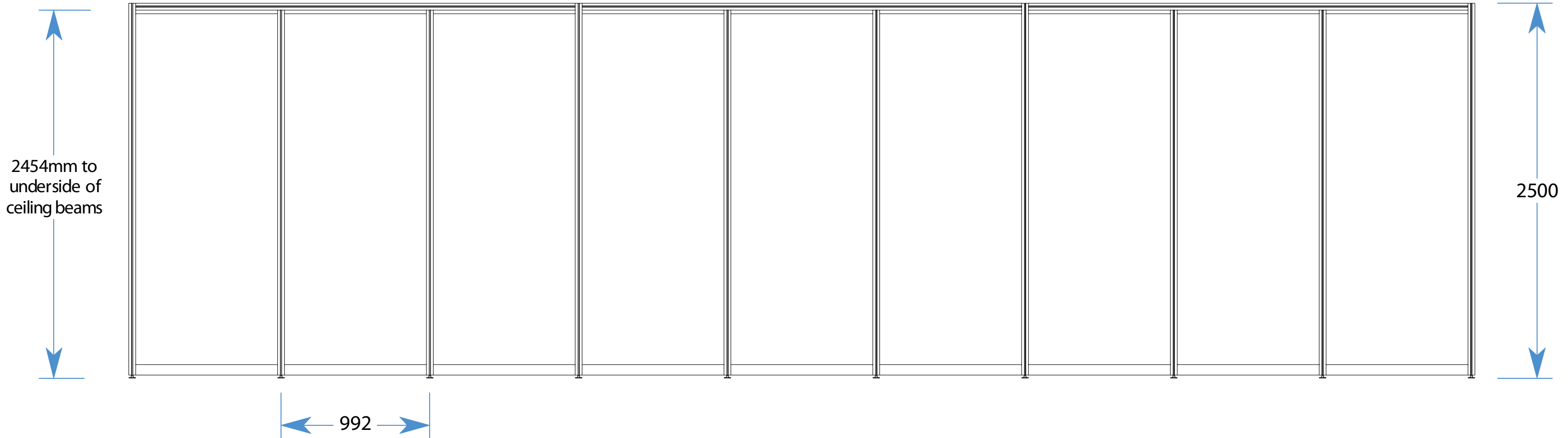


CEILING GRID

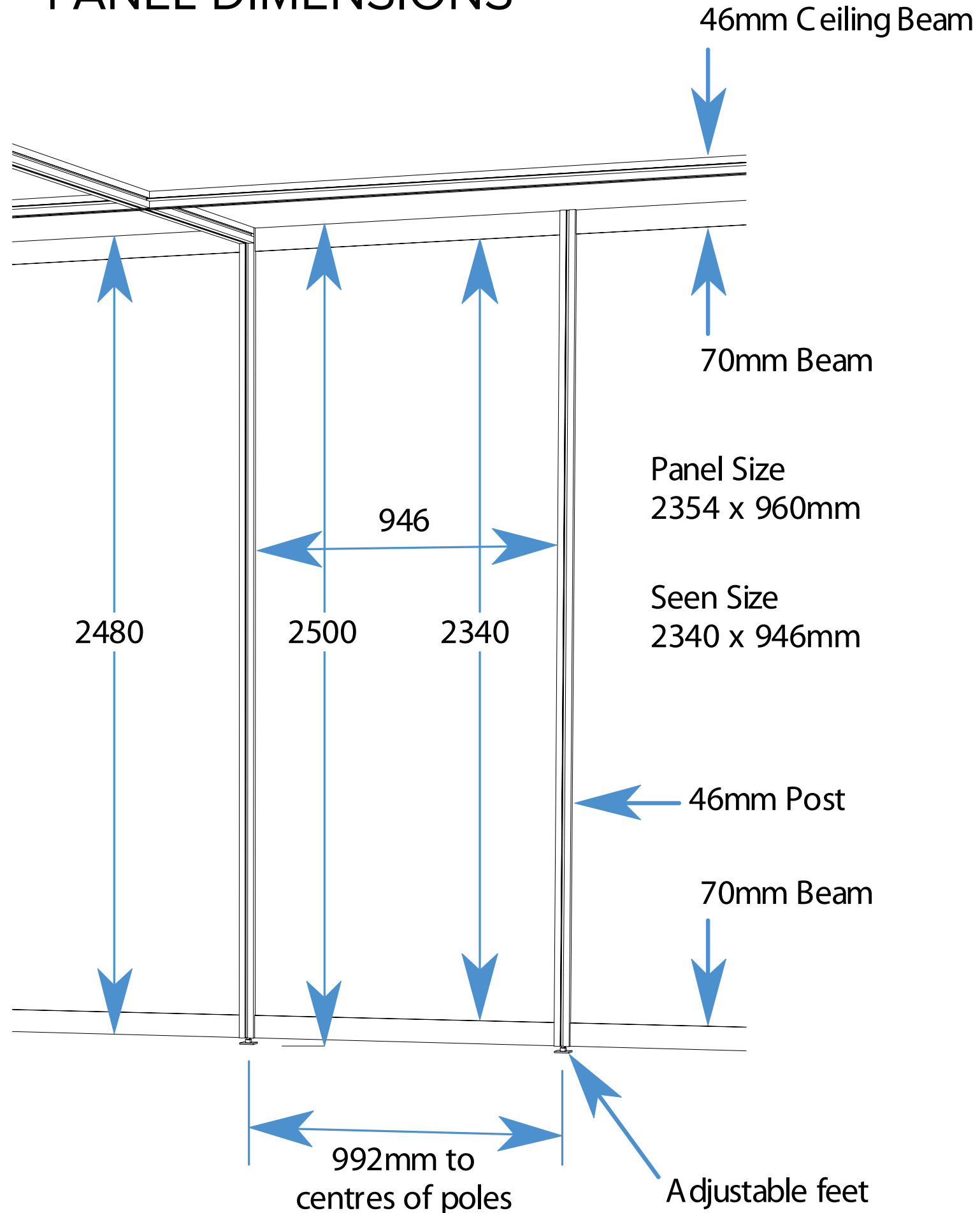


SHELL SCHEME SPECIFICATIONS: EDGE

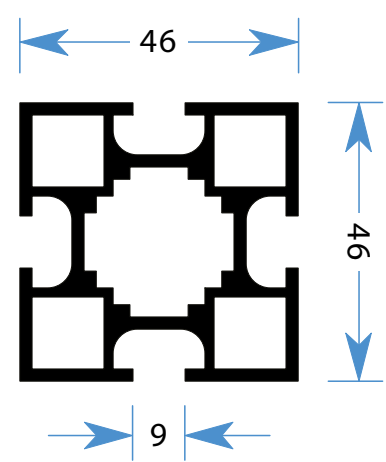
SHELL DIMENSIONS



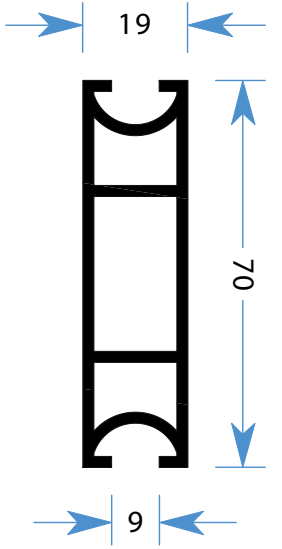
PANEL DIMENSIONS



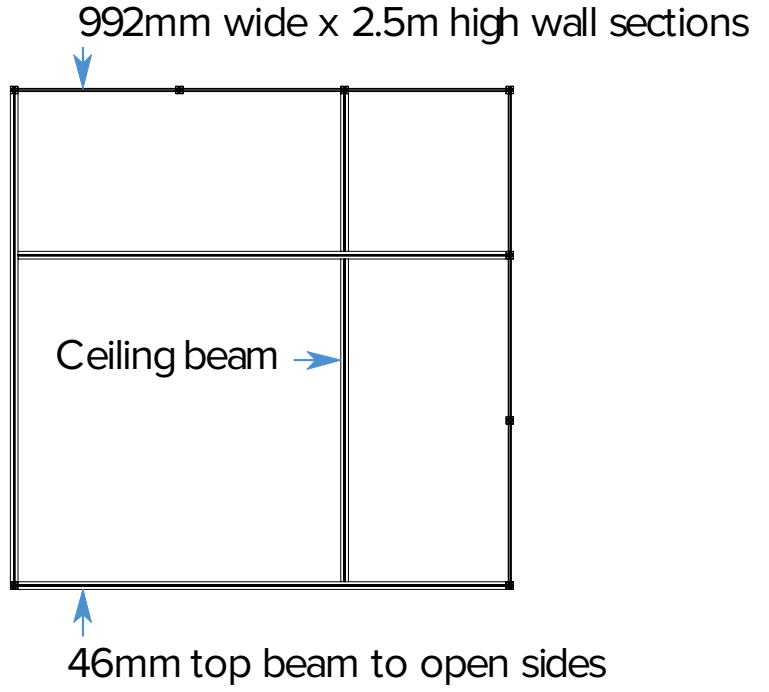
POST SECTION



BEAM SECTION

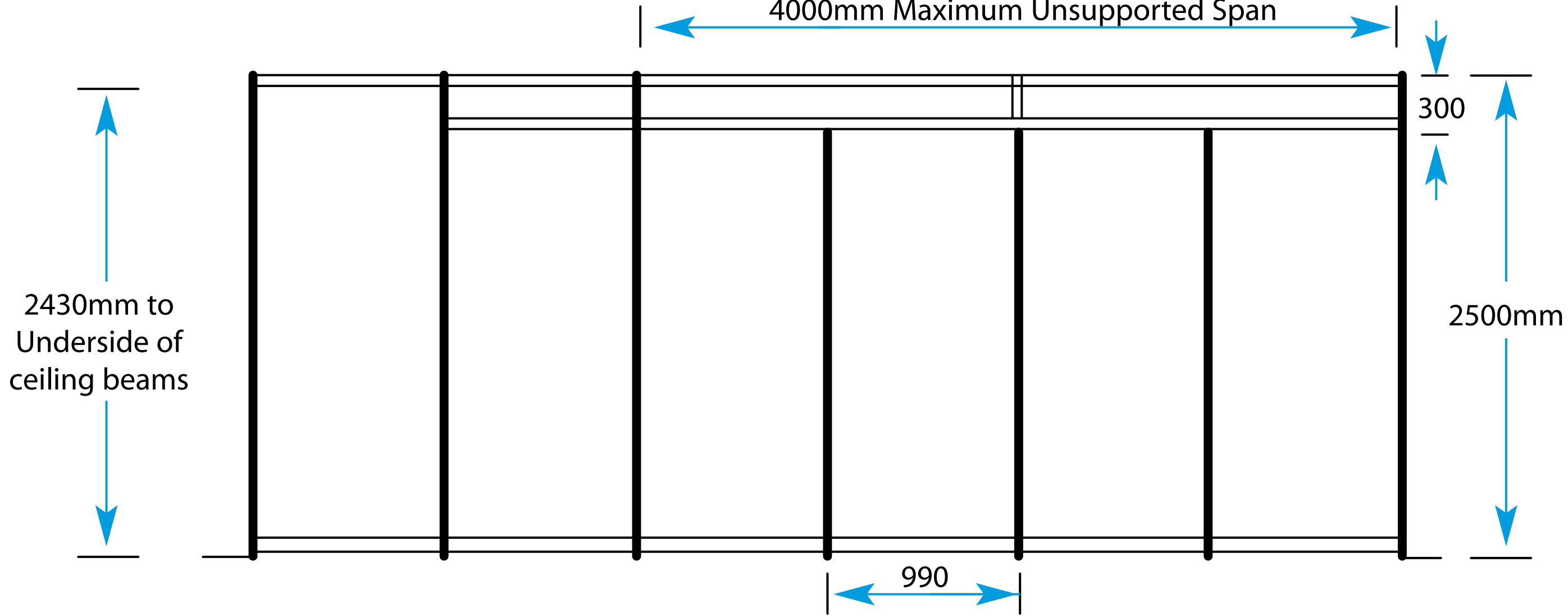


CEILING GRID

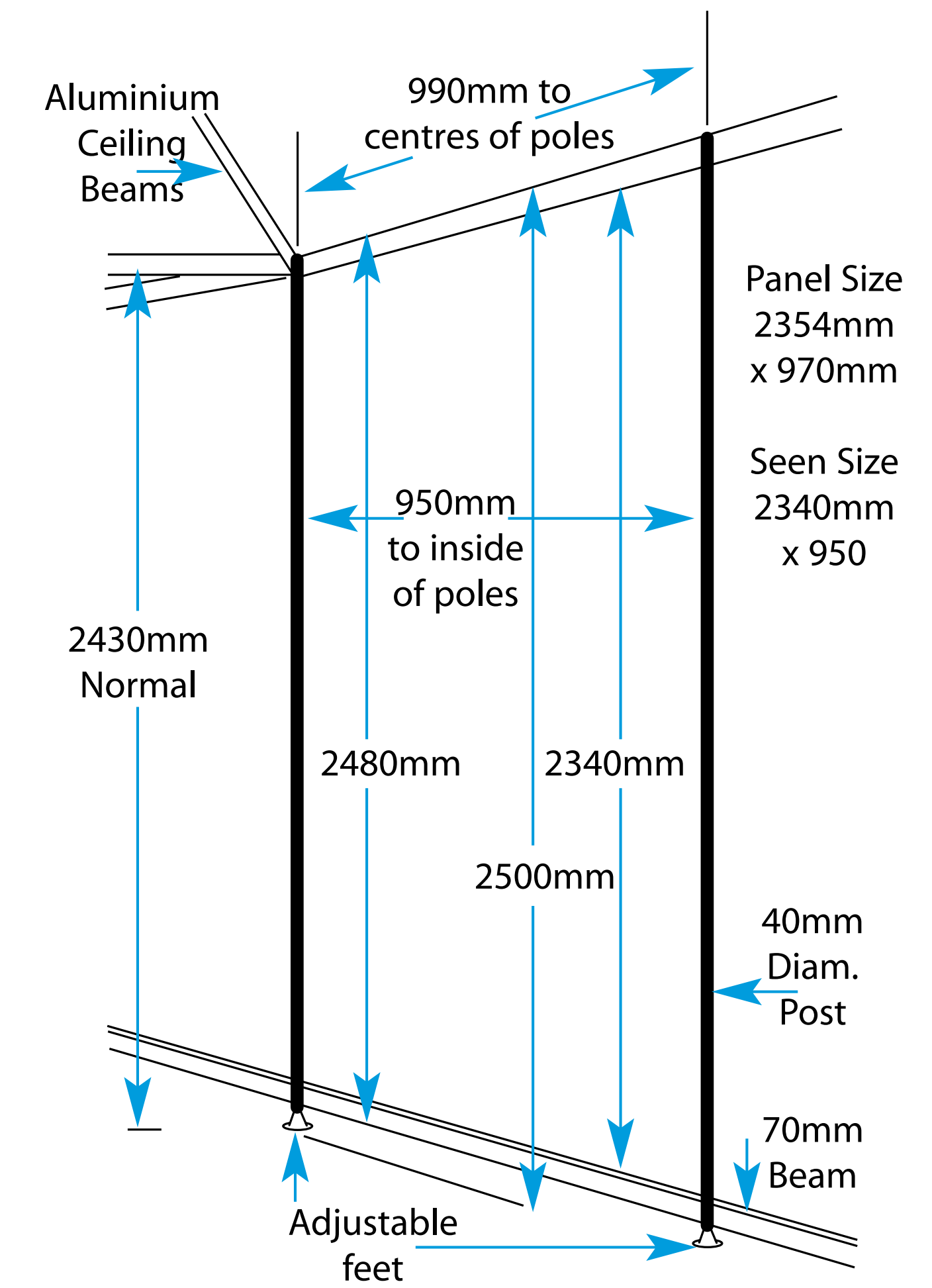


SHELL SCHEME SPECIFICATIONS: OCTANORM

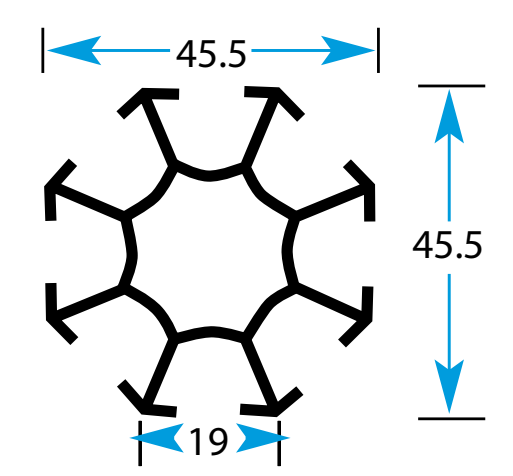
SHELL DIMENSIONS



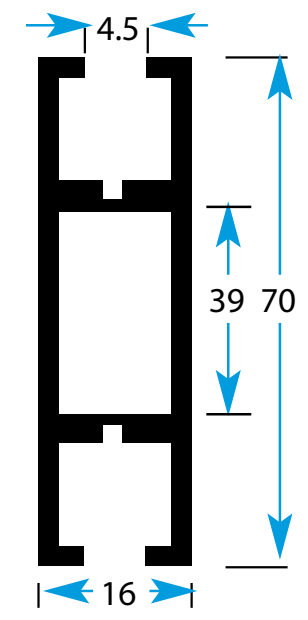
PANEL DIMENSIONS



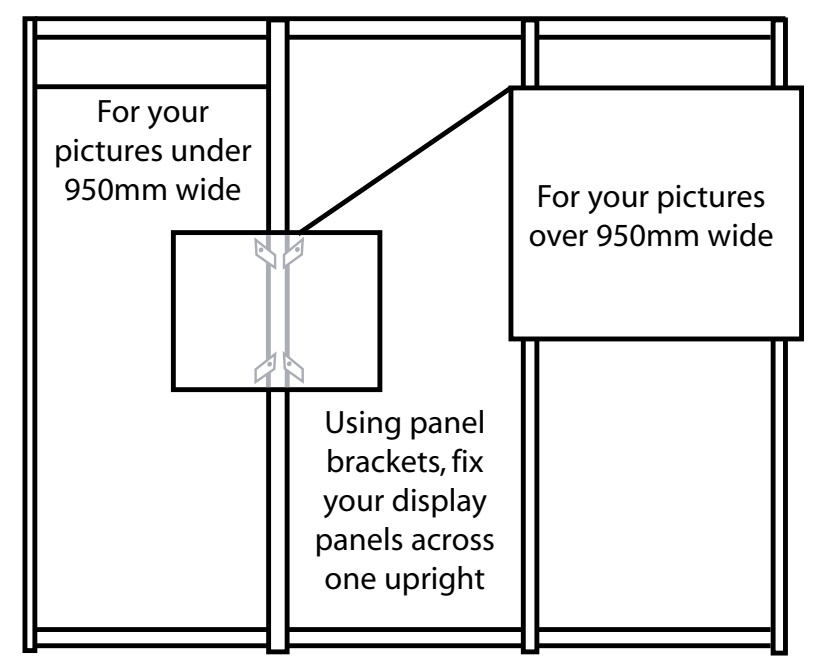
POST SECTION



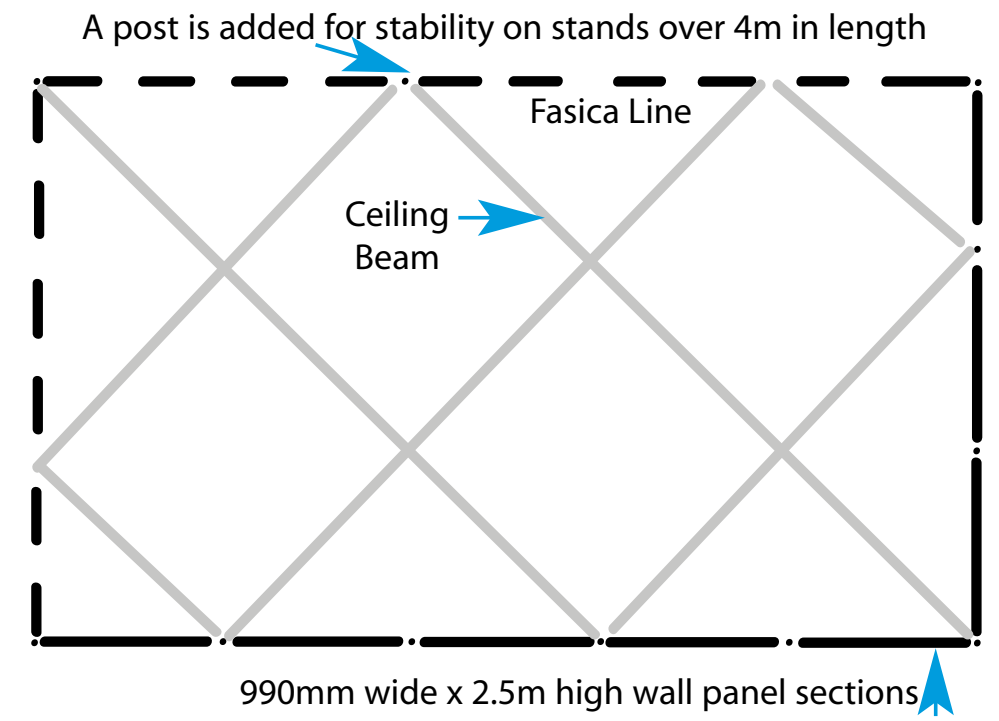
BEAM SECTION



POSTERS & PANELS

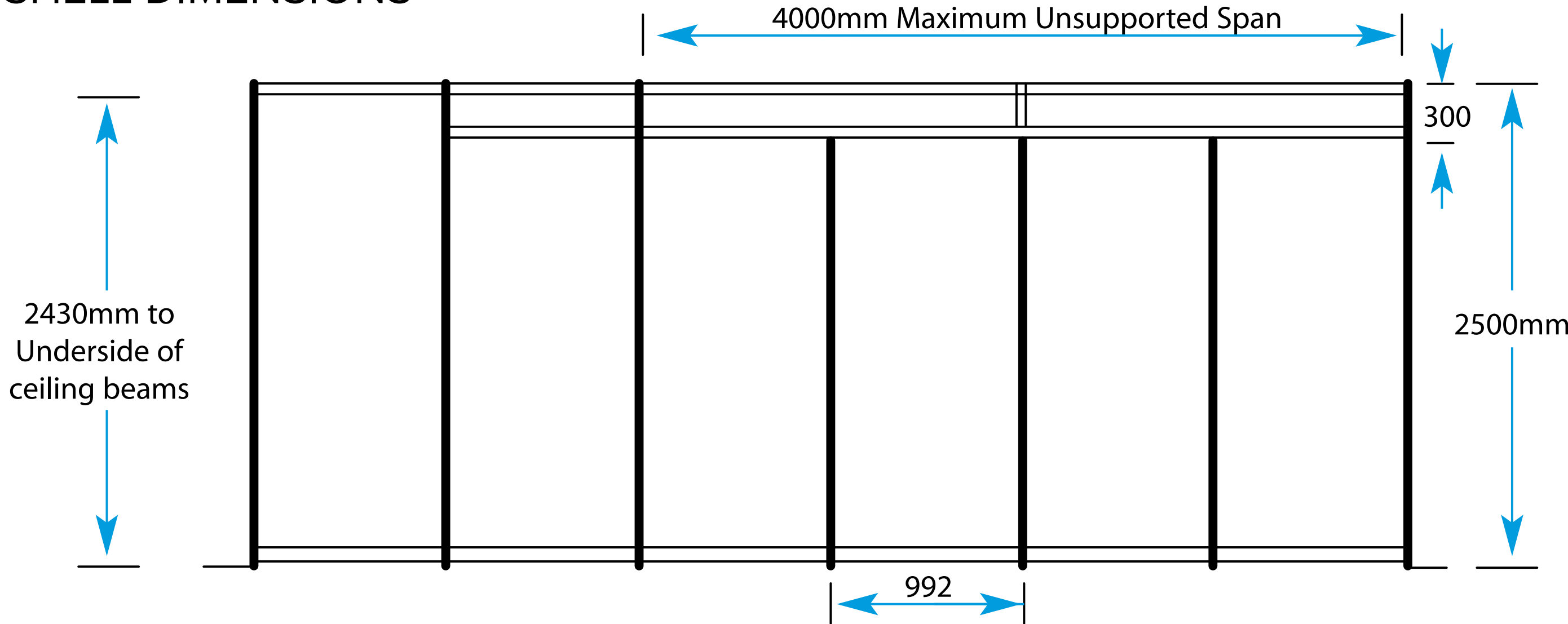


CEILING GRID

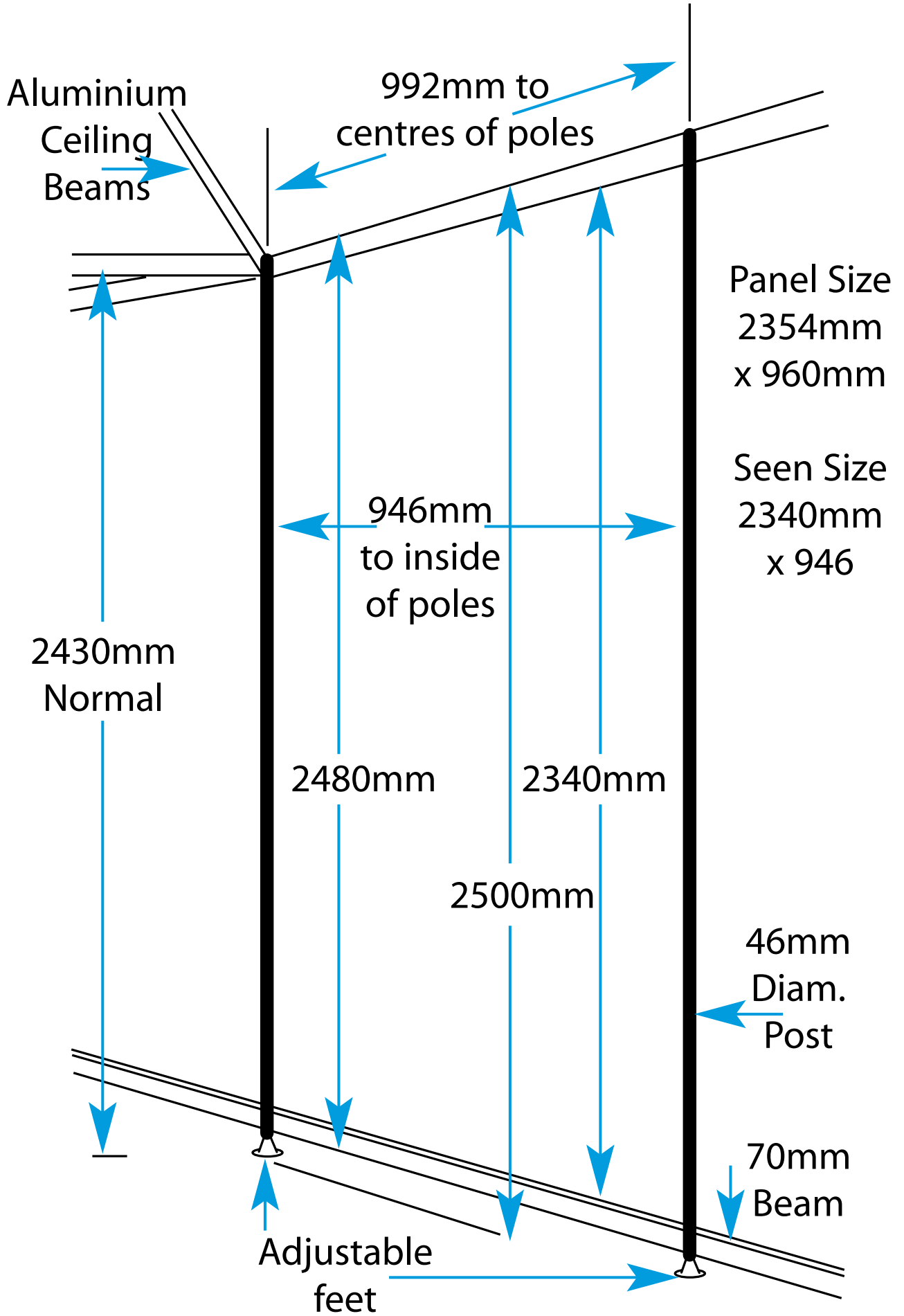


SHELL SCHEME SPECIFICATIONS: SODEM

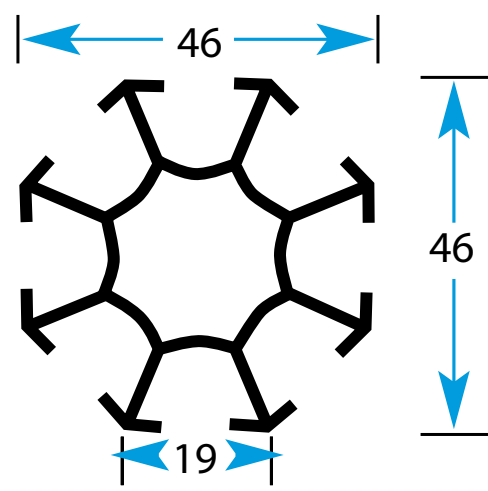
SHELL DIMENSIONS



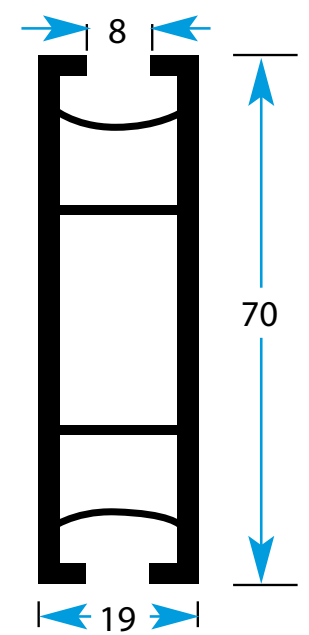
PANEL DIMENSIONS



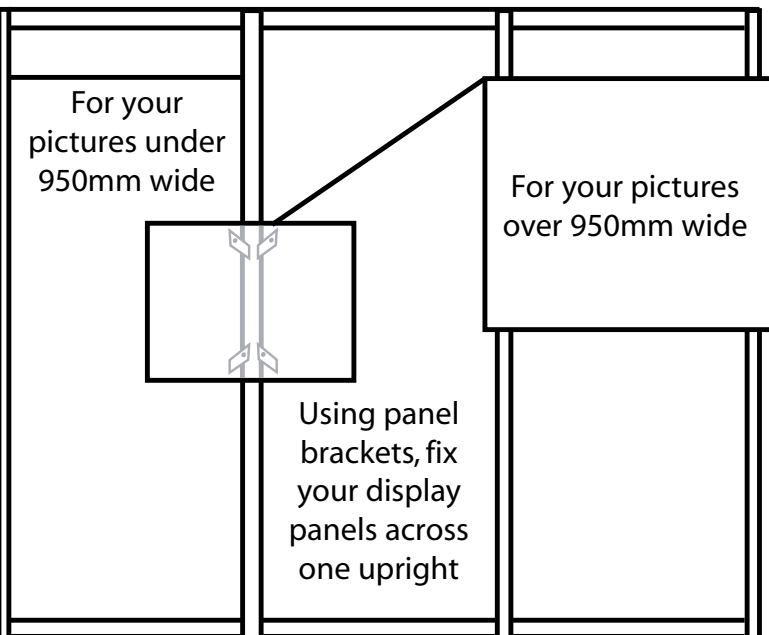
POST SECTION



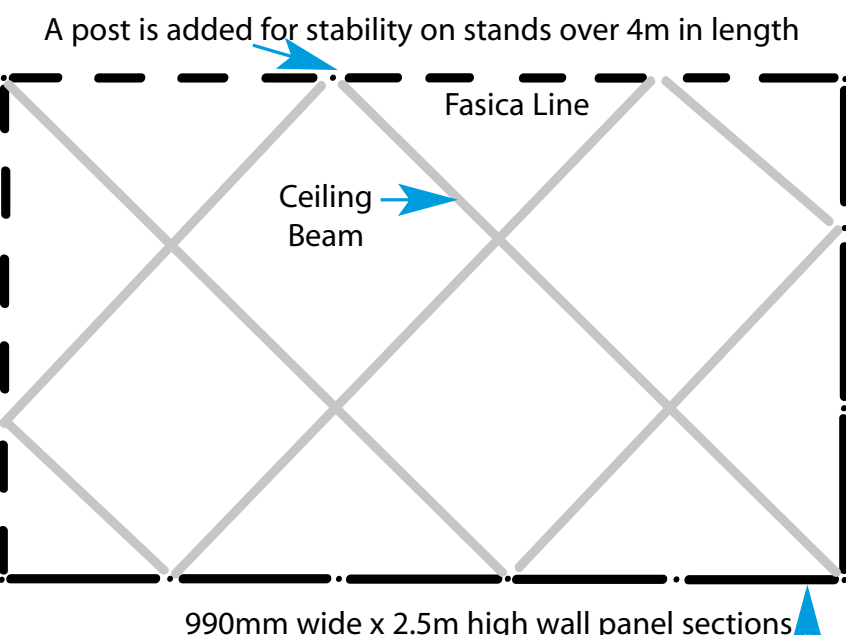
BEAM SECTION



POSTERS & PANELS



CEILING GRID





Looking to get started? We're here to help.

ORDER ONLINE NOW

Talk to us: **+44 (0)2476 380 183**

We hope you found this guide to building your stand useful and you're well on your way to making a show stopping stand yourself. If you'd like more hints and tips, check out our Exhibiting Toolbox at ges.com which is regularly updated with tools to make your event experience even better!